

**Qty. Description**

1 CM 3-3 A-R-A-E-AVBE C-A-A-N



Product No.: On request

Compact, reliable, horizontal, multistage, end-suction centrifugal pump with axial suction port and radial discharge port. The shaft, impellers and chambers are made of stainless steel. The inlet and discharge parts are made of cast iron. The mechanical shaft seal is a special designed, unbalanced O-ring seal. Pipework connection is via internal Whitworth pipe threads, Rp (ISO 7/1).

The pump is fitted with a 1-phase, foot-mounted, fan-cooled asynchronous motor.

**Controls:**

Frequency converter: NONE

**Liquid:**

Pumped liquid: Water  
 Liquid temperature range: -20 .. 90 °C  
 Selected liquid temperature: 20 °C  
 Density at selected liquid temperature: 998.2 kg/m<sup>3</sup>

**Technical:**

Pump speed on which pump data are based: 2900 rpm  
 Rated flow: 3.1 m<sup>3</sup>/h  
 Rated head: 20.61 m  
 Code for shaft seal: AVBE  
 Curve tolerance: ISO9906:2012 3B

**Materials:**

Pump housing: Cast iron  
 EN-GJL-200  
 ASTM A48-25A  
 Impeller: Stainless steel  
 EN 1.4301  
 AISI 304

**Installation:**

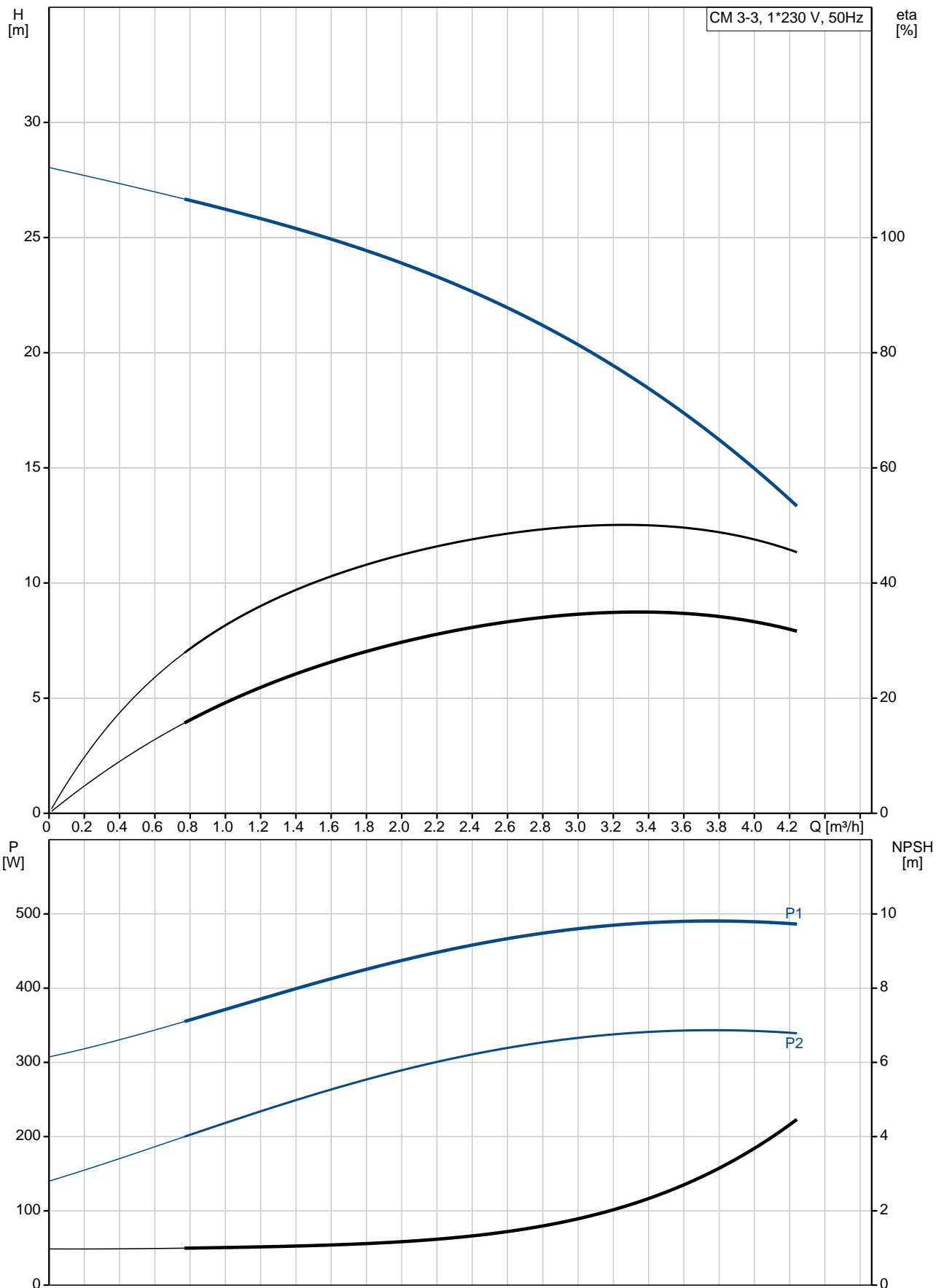
Range of ambient temperature: -20 .. 55 °C  
 Maximum operating pressure: 10 bar  
 Max pressure at stated temp: 10 bar / 40 °C  
 6 bar / 90 °C  
 Type of connection: Rp  
 Size of inlet connection: 1 inch  
 Size of outlet connection: 1 inch  
 Outlet position: 12

**Electrical data:**

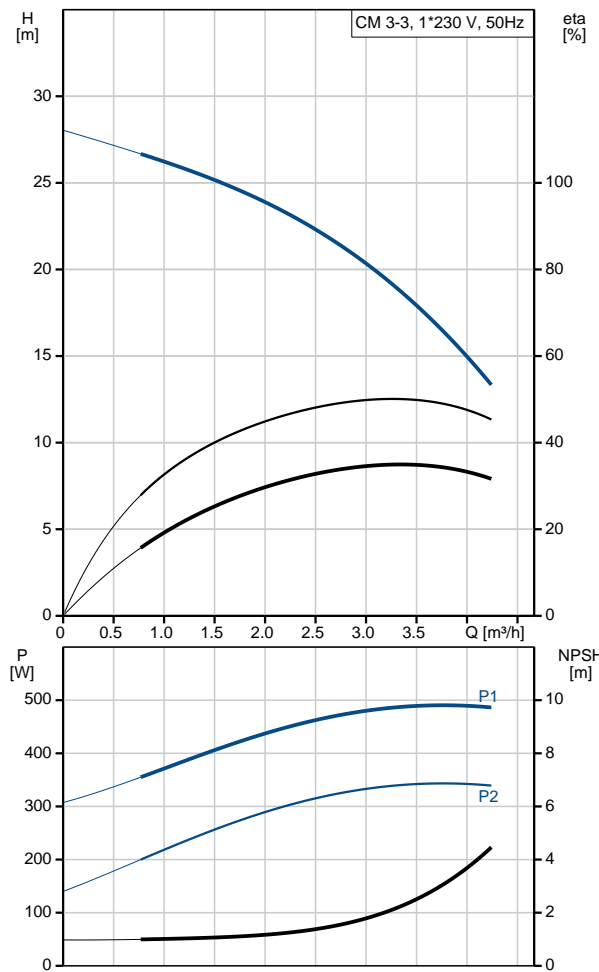
Motor standard: IEC  
 Frame size: 71B  
 Rated power - P2: 0.5 kW  
 Mains frequency: 50 Hz  
 Suitable for 50/60 Hz: No

Qty.	Description
	<p>Phases: 1 Rated voltage: 220-240 V Service factor: 1.00 Rated current: 3.1-2.8 A Starting current: 530-530 % Rated speed: 2730-2740 rpm Enclosure class (IEC 34-5): IP55 Insulation class (IEC 85): F Built-in motor protection: PTO</p> <p><b>Others:</b> Terminal box position: 12 Minimum efficiency index, MEI : 0.7 Net weight: 12 kg Gross weight: 14.5 kg Approvals: CE,WRAS,ACS,TR,EAC Custom tariff no.: 8413702920</p>

## On request CM 3-3 A-R-A-E-AVBE C-A-A-N 50 Hz



Description	Value
<b>General information:</b>	
Product name:	CM 3-3 A-R-A-E-AVBE C-A-A-N
Product No:	On request
EAN number:	On request
	On request
<b>Technical:</b>	
Pump speed on which pump data are based:	2900 rpm
Rated flow:	3.1 m <sup>3</sup> /h
Rated head:	20.61 m
Impellers:	3
Code for shaft seal:	AVBE
Curve tolerance:	ISO9906:2012 3B
Pump version:	A
Model:	A
<b>Materials:</b>	
Pump housing:	Cast iron
	EN-GJL-200
	ASTM A48-25A
Impeller:	Stainless steel
	EN 1.4301
	AISI 304
Material code:	A
Code for rubber:	E
<b>Installation:</b>	
Range of ambient temperature:	-20 .. 55 °C
Maximum operating pressure:	10 bar
Max pressure at stated temp:	10 bar / 40 °C
	6 bar / 90 °C
Type of connection:	Rp
Size of inlet connection:	1 inch
Size of outlet connection:	1 inch
Outlet position:	12
Connect code:	R
<b>Liquid:</b>	
Pumped liquid:	Water
Liquid temperature range:	-20 .. 90 °C
Selected liquid temperature:	20 °C
Density at selected liquid temperature:	998.2 kg/m <sup>3</sup>
<b>Electrical data:</b>	
Motor standard:	IEC
Frame size:	71B
Rated power - P2:	0.5 kW
Mains frequency:	50 Hz
Suitable for 50/60 Hz:	No
Phases:	1
Rated voltage:	220-240 V
Service factor:	1.00
Rated current:	3.1-2.8 A
Starting current:	530-530 %
Rated speed:	2730-2740 rpm
Enclosure class (IEC 34-5):	IP55
Insulation class (IEC 85):	F
Built-in motor protection:	PTO
<b>Controls:</b>	
Frequency converter:	NONE
<b>Others:</b>	
Terminal box position:	12





Company name: Vinabom.com - 0978.702.058 - 096.18.13.114

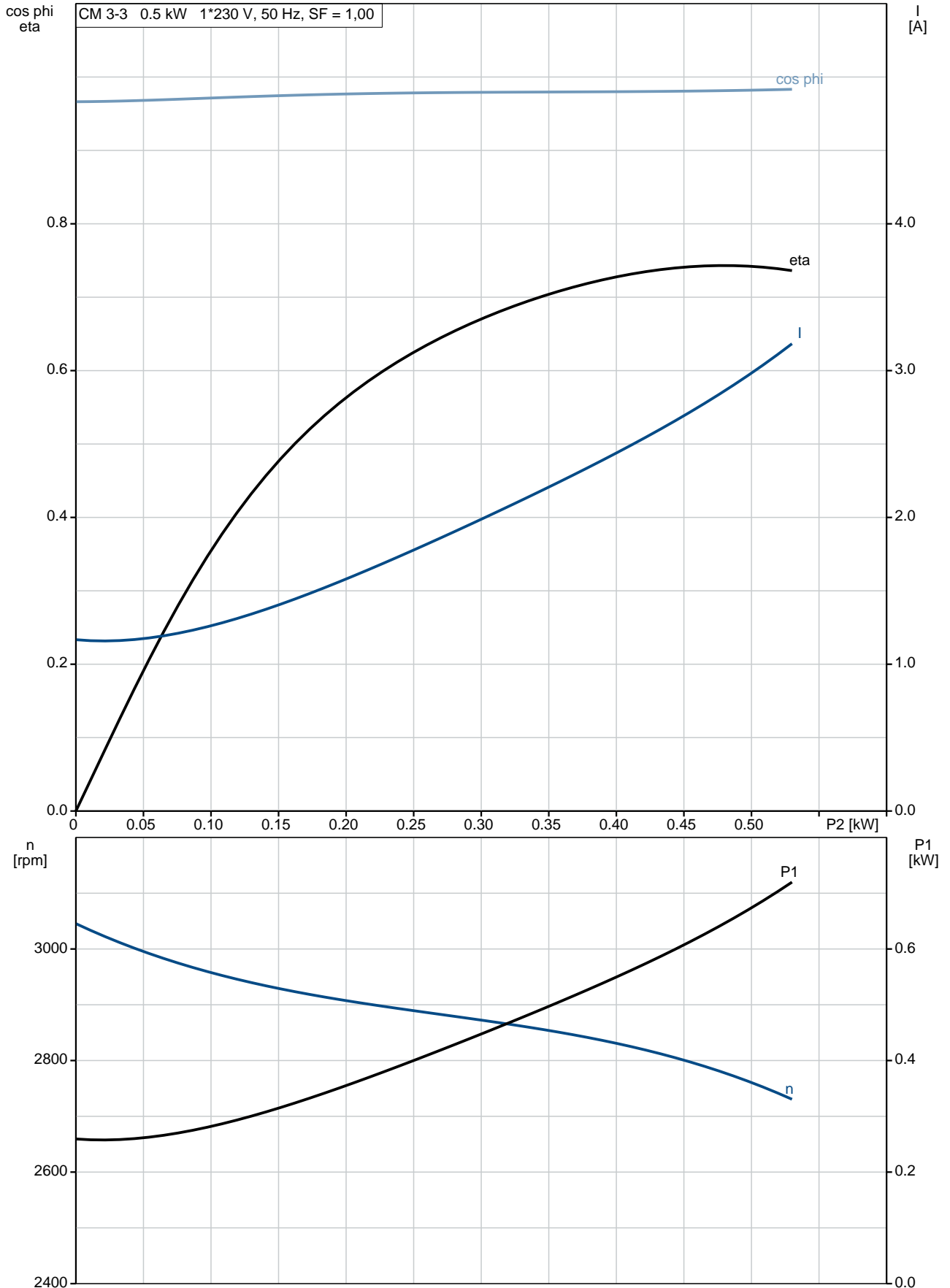
Created by:

Phone:

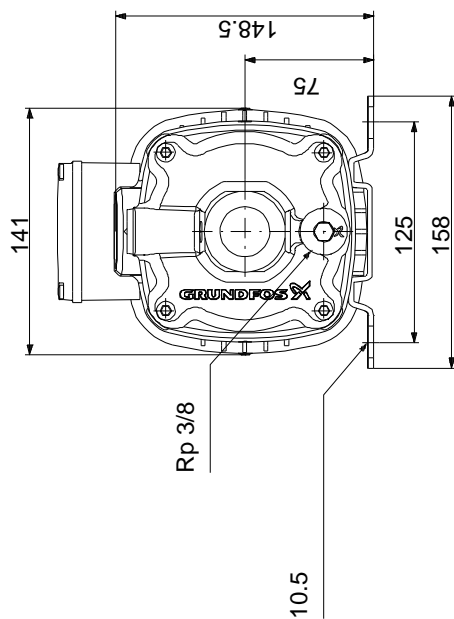
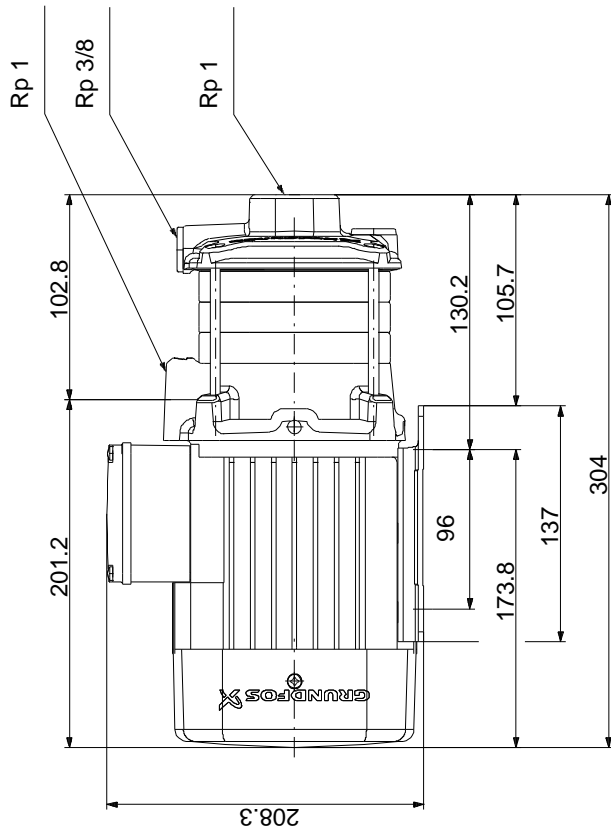
Date: 07/12/2019

Description	Value
Minimum efficiency index, MEI :	0.7
Net weight:	12 kg
Gross weight:	14.5 kg
Approvals:	CE,WRAS,ACS,TR,EAC
Custom tariff no.:	8413702920

## On request CM 3-3 A-R-A-E-AVBE C-A-A-N 50 Hz

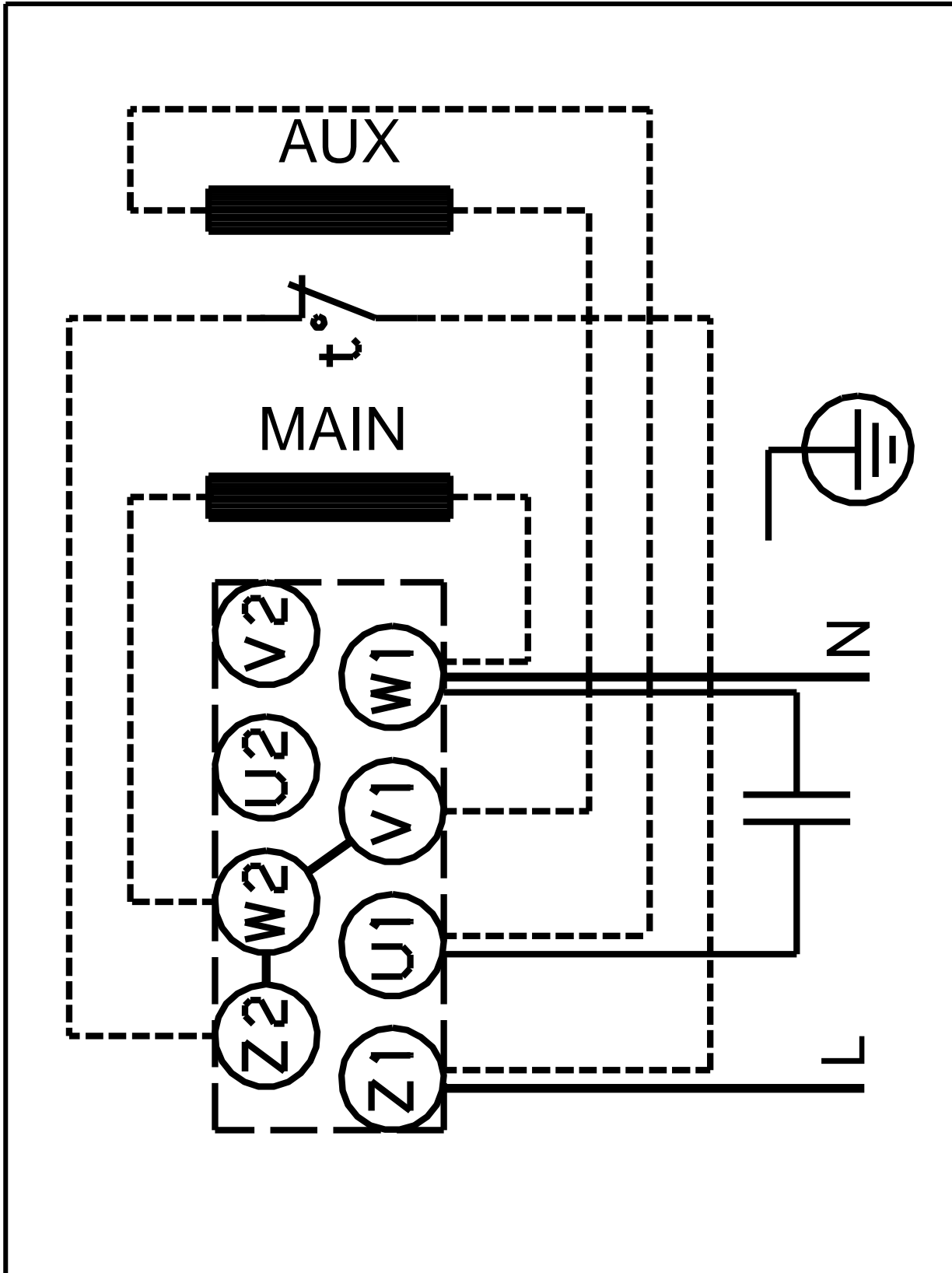


## On request CM 3-3 A-R-A-E-AVBE C-A-A-N 50 Hz



Note! All units are in [mm] unless others are stated.  
Disclaimer: This simplified dimensional drawing does not show all details.

**On request CM 3-3 A-R-A-E-AVBE C-A-A-N 50 Hz**



Note! All units are in [mm] unless others are stated.