

**Qty. Description**

1 JP 5 B-A-CVBP



Product No.: On request  
Horizontal self-priming jet pump.

Self-priming single-stage centrifugal jet pump with axial suction port and radial discharge port close-coupled with a single-phase motor with thermal overload protection.

Pump and motor are mounted on a common baseplate.

The pump has a mechanical carbon/ceramics shaft seal.

**Liquid:**

Pumped liquid: Water  
Liquid temperature range: 1 .. 40 °C  
Selected liquid temperature: 20 °C  
Density at selected liquid temperature: 998.2 kg/m<sup>3</sup>

**Technical:**

Primary shaft seal: CVBP  
Approvals on nameplate: CE,EAC  
Curve tolerance: ISO9906:2012 3B

**Materials:**

Pump housing: Stainless steel  
EN 1.4301  
AISI 304  
Impeller: Stainless steel  
DIN W.-Nr. 1.4301  
AISI 304

**Installation:**

Range of ambient temperature: 0 .. 40 °C  
Maximum operating pressure: 6 bar  
Pump inlet: G1  
Pump outlet: G1

**Electrical data:**

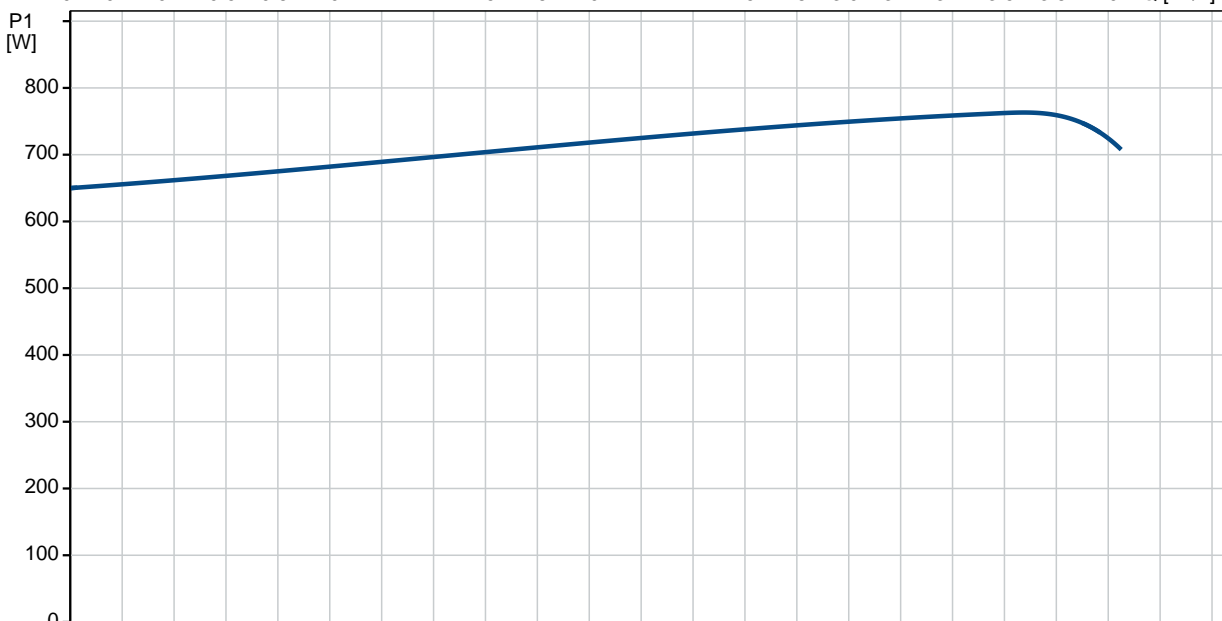
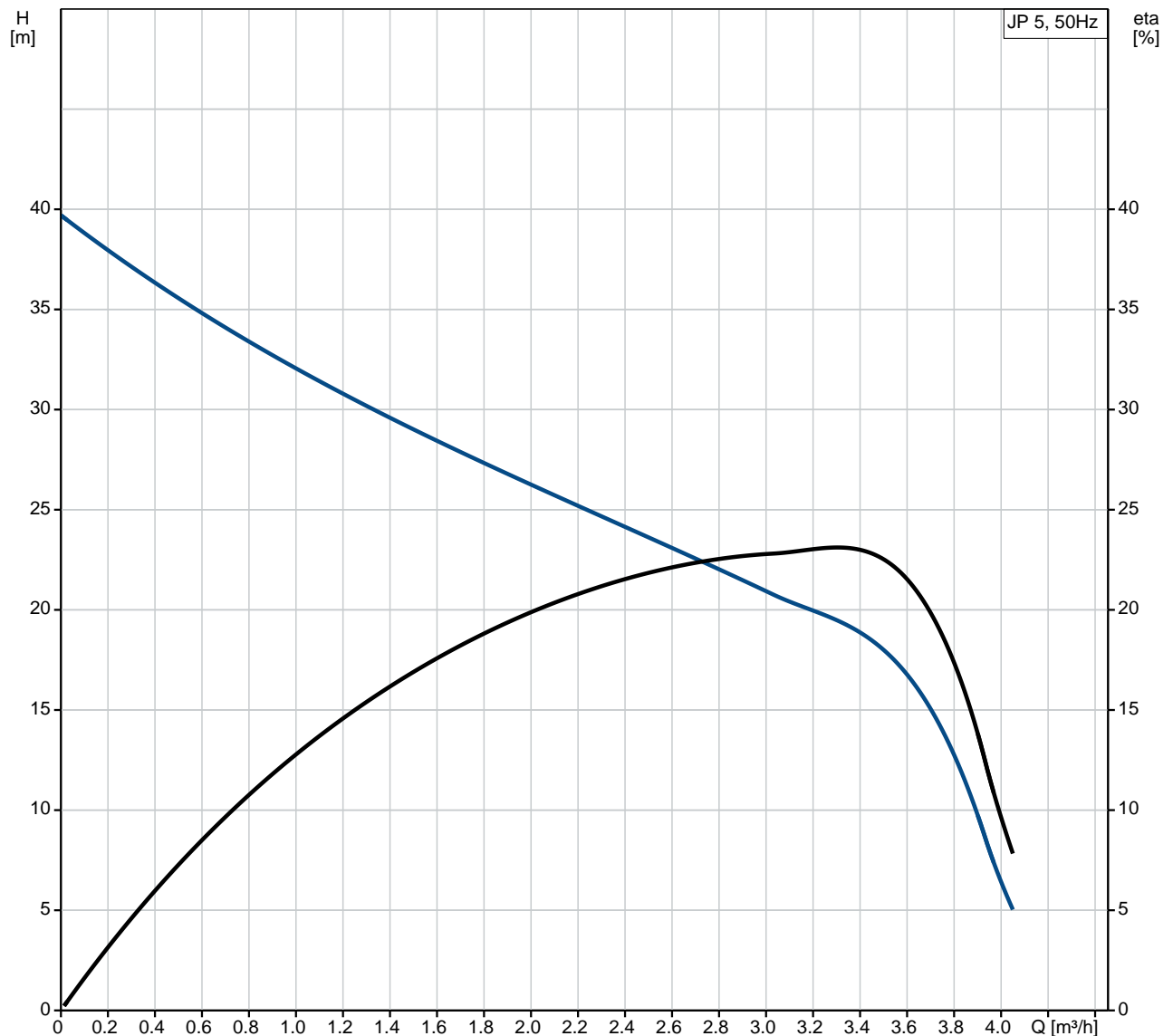
Power input - P1: 850 W  
Mains frequency: 50 Hz  
Rated voltage: 1 x 220-240 V  
Rated current: 3.8 A  
Capacitor size - run: 20 µF/400 V  
Enclosure class (IEC 34-5): IP44  
Insulation class (IEC 85): F  
Type of cable plug: SCHUKO

**Others:**

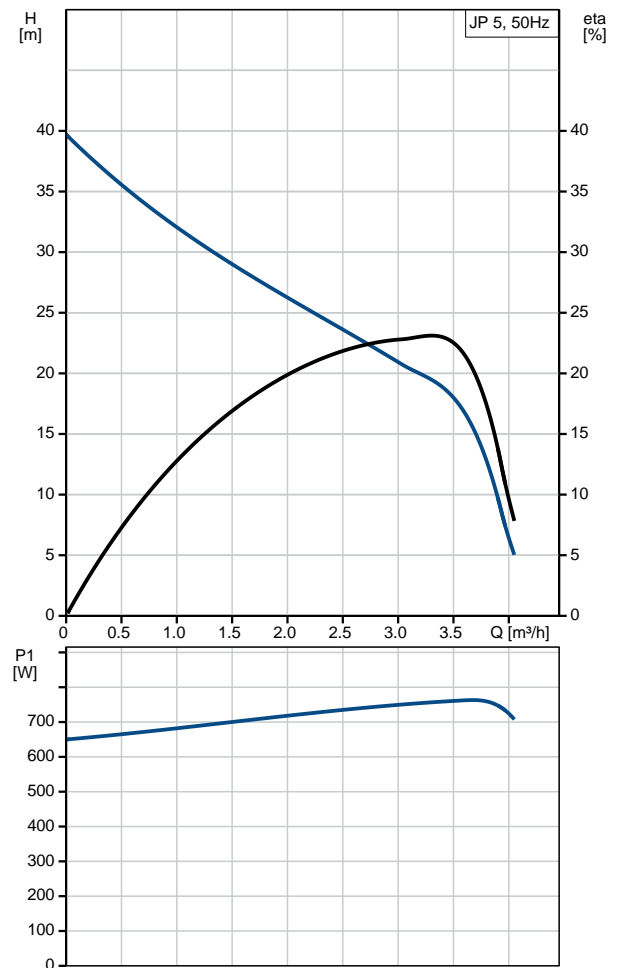
**Qty. Description**

Net weight:	11 kg
Gross weight:	11 kg
Shipping volume:	0.026 m <sup>3</sup>
Danish VVS No.:	385538050
Swedish RSK No.:	5928691
Finnish LVI No.:	LVI NO 4732507
Norwegian NRF no.:	9040038
Custom tariff no.:	84137041

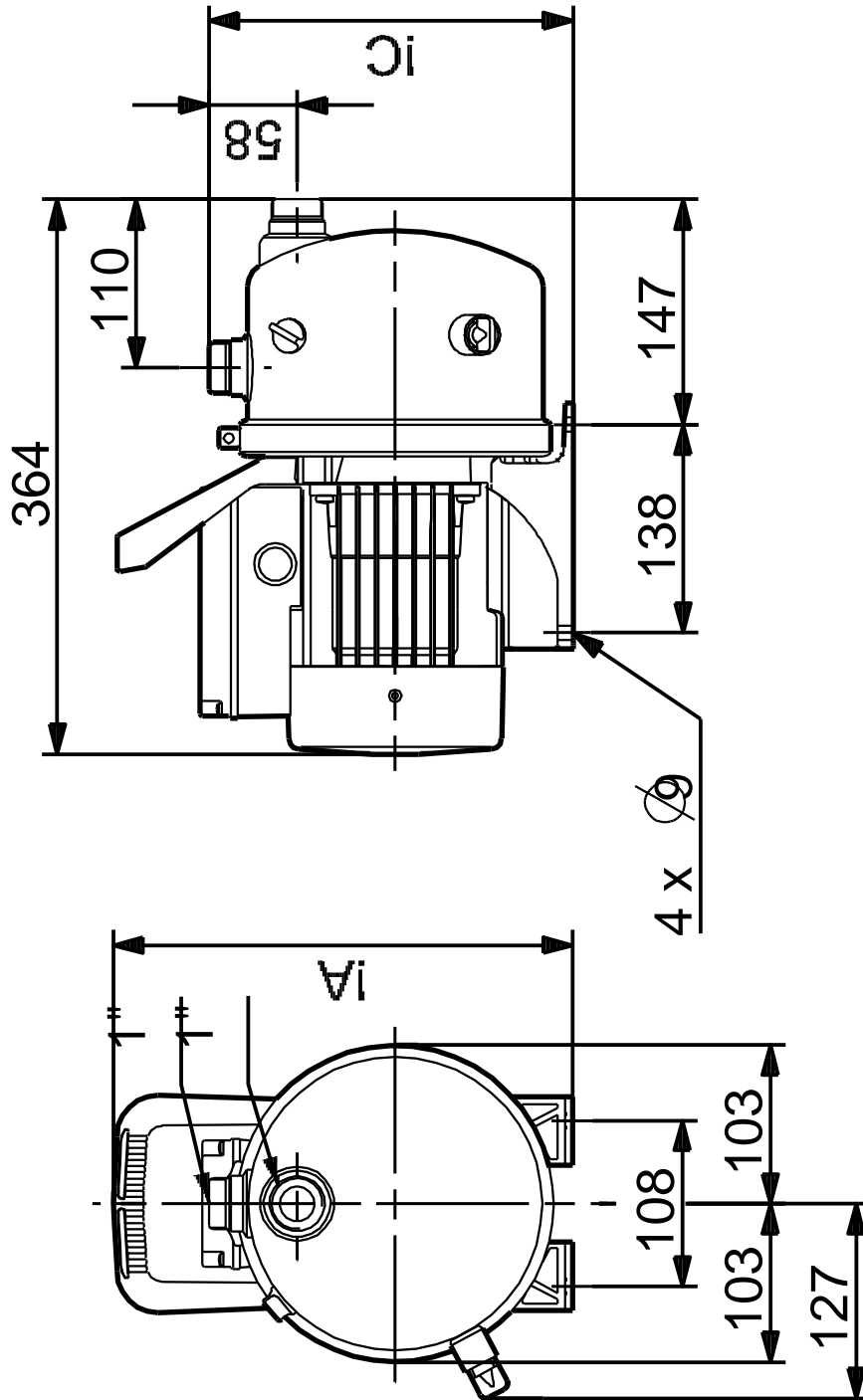
## On request JP 5 B-A-CVBP 50 Hz



Description	Value
<b>General information:</b>	
Product name:	JP 5 B-A-CVBP
Product No:	On request
EAN number:	On request
	On request
<b>Technical:</b>	
Head max:	40 m
Primary shaft seal:	CVBP
Approvals on nameplate:	CE,EAC
Curve tolerance:	ISO9906:2012 3B
Pump version:	B
Model:	E
Ejector valve:	yes
<b>Materials:</b>	
Pump housing:	Stainless steel EN 1.4301 AISI 304
Impeller:	Stainless steel DIN W.-Nr. 1.4301 AISI 304
Material code:	A
<b>Installation:</b>	
Range of ambient temperature:	0 .. 40 °C
Maximum operating pressure:	6 bar
Pump inlet:	G1
Pump outlet:	G1
<b>Liquid:</b>	
Pumped liquid:	Water
Liquid temperature range:	1 .. 40 °C
Selected liquid temperature:	20 °C
Density at selected liquid temperature:	998.2 kg/m <sup>3</sup>
<b>Electrical data:</b>	
Power input - P1:	850 W
Mains frequency:	50 Hz
Rated voltage:	1 x 220-240 V
Rated current:	3.8 A
Capacitor size - run:	20 µF/400 V
Enclosure class (IEC 34-5):	IP44
Insulation class (IEC 85):	F
Type of cable plug:	SCHUKO
Cable:	Y
<b>Controls:</b>	
Presscontrol:	without press control
Switch:	on/off switch included
<b>Others:</b>	
Net weight:	11 kg
Gross weight:	11 kg
Shipping volume:	0.026 m <sup>3</sup>
Danish VVS No.:	385538050
Swedish RSK No.:	5928691
Finnish LVI No.:	LVI NO 4732507
Norwegian NRF no.:	9040038
Custom tariff no.:	84137041

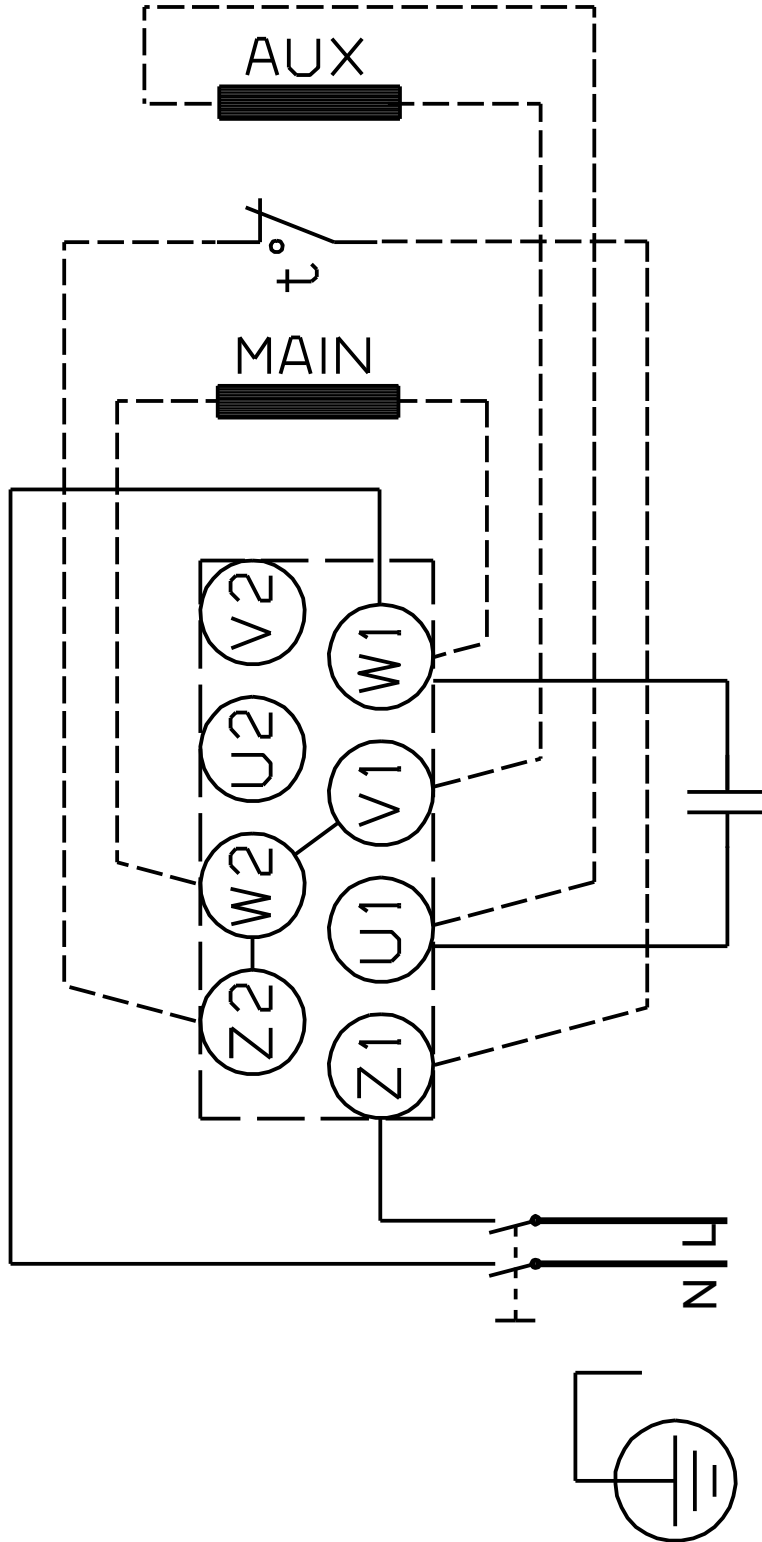


**On request JP 5 B-A-CVBP 50 Hz**



Note! All units are in [mm] unless others are stated.  
 Disclaimer: This simplified dimensional drawing does not show all details.

**On request JP 5 B-A-CVBP 50 Hz**



Note! All units are in [mm] unless others are stated.