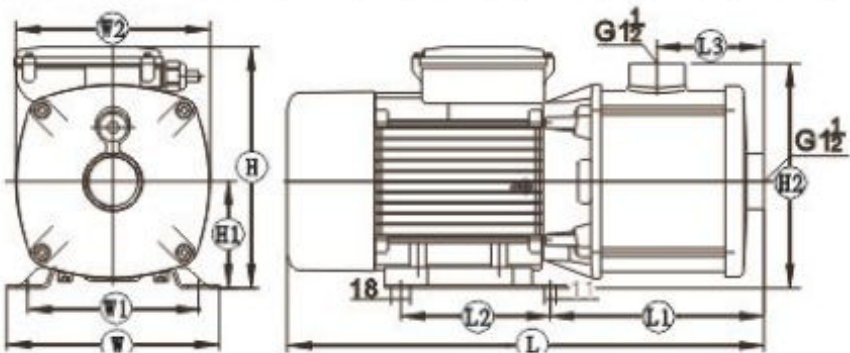


50HZ

Model	MTS-83	MTS-84	MTS-85	MTS-86	MTS-162	MTS-163	MTS-164
Power	1.5HP (1.1KW)	2HP (1.5KW)	3HP (2.2KW)	5HP (3.7KW)	2HP (1.5KW)	3HP (2.2KW)	5HP (3.7KW)
Outlet	40mm (1.5inch)	40mm (1.5inch)	40mm (1.5inch)	40mm (1.5inch)	50mm (2inch)	50mm (2inch)	50mm (2inch)
Inlet	40mm (1.5inch)	40mm (1.5inch)	40mm (1.5inch)	40mm (1.5inch)	50mm (2inch)	50mm (2inch)	50mm (2inch)
Max Flow	310LPM	310LPM	310LPM	310LPM	540LPM	540LPM	540LPM
Max Head	33M	44M	55M	66M	28M	40M	55M

Model	Dimension									
	W	W1	W2	L	L1	L2	L3	H	H1	H2
MTS-83	158	125	182	408	200	96	100	232	100	208
MTS-83T	158	125	182	408	200	96	100	212	100	208
MTS-84	158	125	182	438	230	96	130	232	100	208
MTS-84T	158	125	182	438	230	96	130	212	100	208
MTS-85	199	160	182	539	290	140	190	244	100	208
MTS-85T	158	125	182	498	290	96	190	212	100	208
MTS-86T	199	160	182	559	290	140	190	217	100	208
MTS-162	158	125	182	439	230	96	130	232	100	208
MTS-162T	158	125	182	439	230	96	130	212	100	208
MTS-163	199	160	182	480	230	140	130	244	100	208
MTS-163T	199	160	182	480	230	140	130	212	100	208
MTS-164T	199	160	182	545	275	140	175	217	100	208

Model No.	Output		Inlet		Outlet		Max Flow(LPM)	LPM Flow @ Head					Max Head(M)	Weight Kg
	HP	KW	mm	inch	mm	inch		10M	20M	30M	40M	50M		
MTS-83	1.5	1.1	40	1.5"	40	1.5"	310	270	200	75	-	-	33	12
MTS-84	2	1.5	40	1.5"	40	1.5"	310	280	250	185	75	-	44	15
MTS-85	3	2.2	40	1.5"	40	1.5"	310	285	275	235	185	75	55	24
MTS-86	5	3.7	40	1.5"	40	1.5"	310	290	285	265	225	160	66	26
MTS-162	2	1.5	50	2"	50	2"	540	480	300	-	-	-	28	16
MTS-163	3	2.2	50	2"	50	2"	540	520	460	330	-	-	40	22
MTS-164	5	3.7	50	2"	50	2"	540	535	510	455	360	190	55	27



VINA[BOM].COM
 VẬN CHUYỂN NGUỒN NƯỚC THÔNG MINH

☎ 0978 702 058

✉ kinhdoanh@vinabom.com