

Qty. Description

1 JPC 3-42 A-C-BBVP



Note! Product picture may differ from actual product

Product No.: On request

The JPC self-priming, single-stage centrifugal pump has a composite body as well as axial inlet and radial outlet. The pump has a built-in ejector with guide vanes for optimum self-priming properties.

The pumps can be used in various applications where self-priming is needed. They are especially suitable for water supply and transfer in the following applications:

- single- and two-family houses
gardens

The rotor is mounted on oversized, sealed, greased-for-life ball bearings to ensure silent running and long life. Single-phase motors have built-in thermal and current protection, and they require no additional motor protection.

Liquid:

Pumped liquid: Water
 Liquid temperature range: 0 .. 35 °C
 Selected liquid temperature: 20 °C
 Density at selected liquid temperature: 998.2 kg/m³

Technical:

Primary shaft seal: BBVP
 Approvals on nameplate: CE,C-TICK
 Curve tolerance: ISO9906:2012 3B

Materials:

Pump housing: Composite
 Impeller: Composite

Installation:

Range of ambient temperature: -10 .. 40 °C
 Maximum operating pressure: 6 bar
 Maximum permissible inlet pressure: 2 bar
 Pump inlet: G1
 Pump outlet: G1

Electrical data:

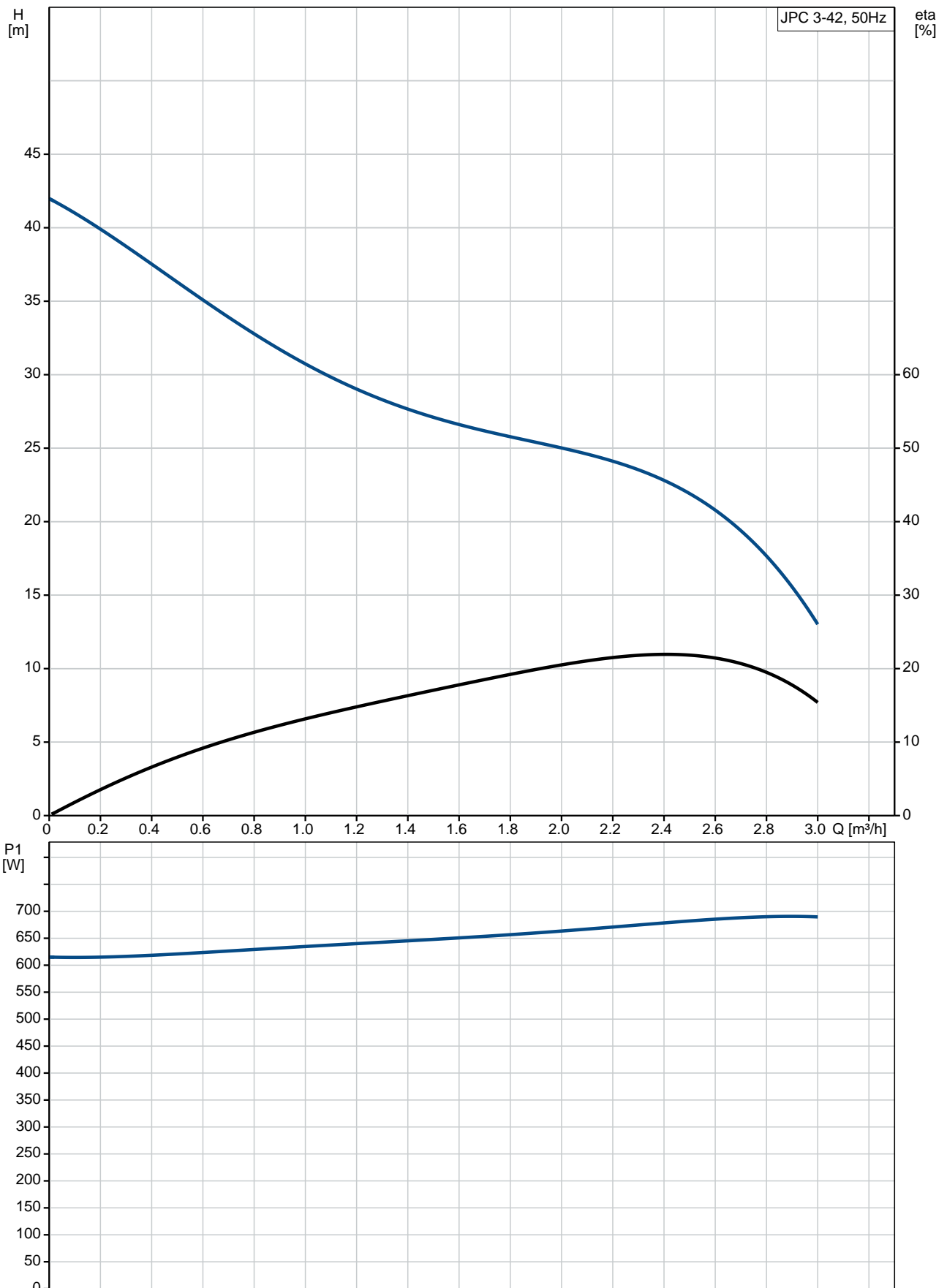
Power input - P1: 720 W
 Rated power - P2: 0.441 kW
 Mains frequency: 50 Hz
 Rated voltage: 1 x 220-240 V
 Rated current: 3.12 A
 Capacitor size - run: 13 µF/450 V
 Enclosure class (IEC 34-5): IP44
 Insulation class (IEC 85): F
 Type of cable plug: AUS

Qty. Description

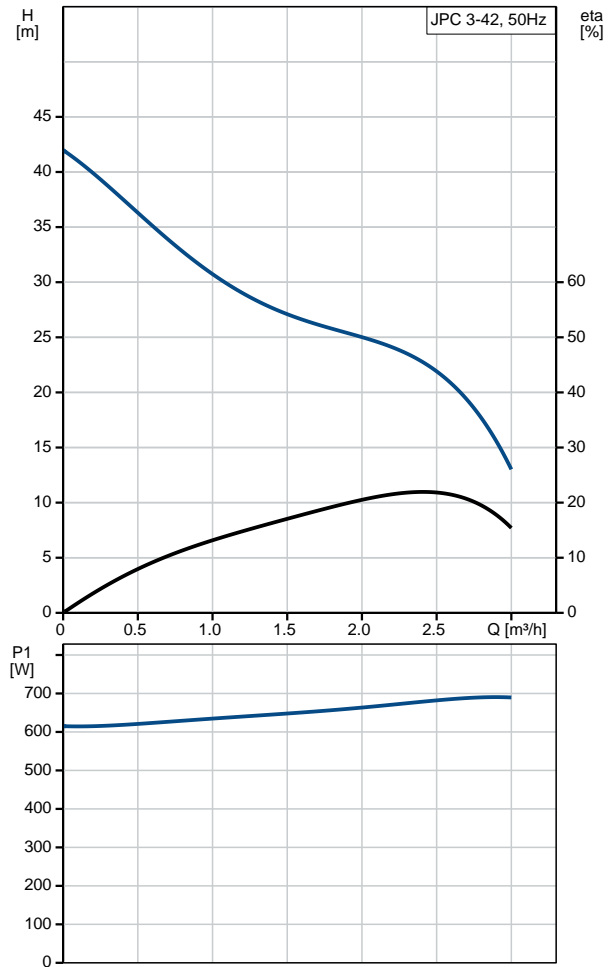
Others:

Net weight:	8 kg
Gross weight:	9 kg
Shipping volume:	0.026 m ³
Custom tariff no.:	84137042

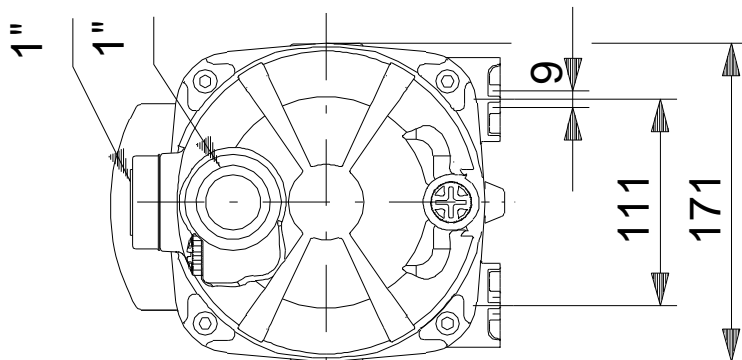
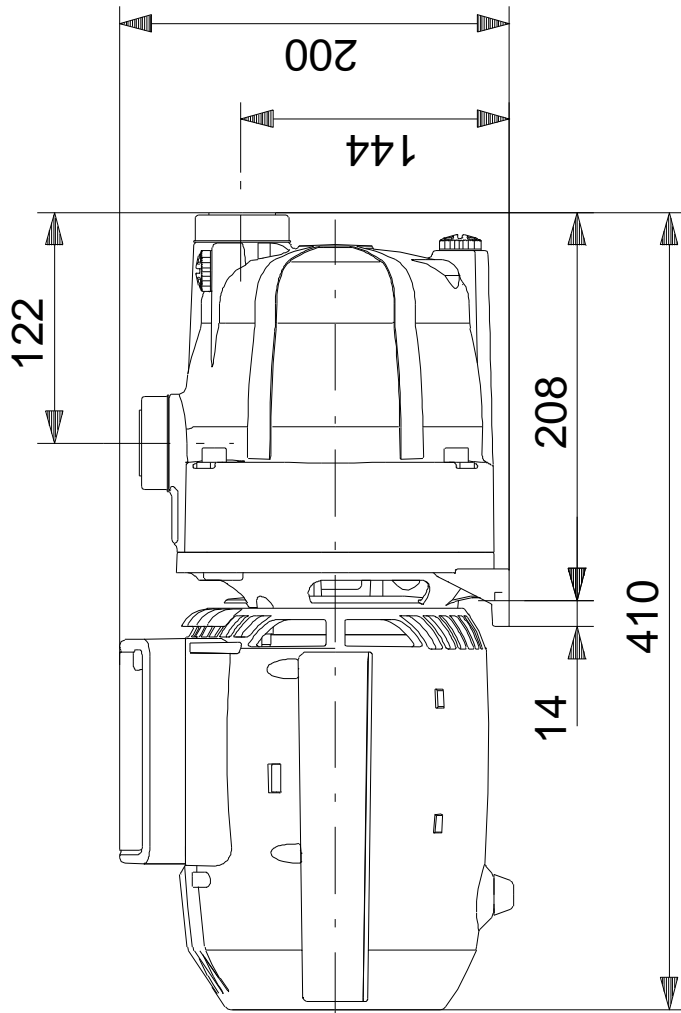
On request JPC 3-42 A-C-BBVP 50 Hz



Description	Value
General information:	
Product name:	JPC 3-42 A-C-BBVP
Product No:	On request
EAN number:	On request
	On request
Technical:	
Head max:	42 m
Primary shaft seal:	BBVP
Approvals on nameplate:	CE,C-TICK
Curve tolerance:	ISO9906:2012 3B
Pump version:	A
Model:	A
Ejector valve:	no
Materials:	
Pump housing:	Composite
Impeller:	Composite
Material code:	C
Installation:	
Range of ambient temperature:	-10 .. 40 °C
Maximum operating pressure:	6 bar
Maximum permissible inlet pressure:	2 bar
Pump inlet:	G1
Pump outlet:	G1
Liquid:	
Pumped liquid:	Water
Liquid temperature range:	0 .. 35 °C
Selected liquid temperature:	20 °C
Density at selected liquid temperature:	998.2 kg/m ³
Electrical data:	
Power input - P1:	720 W
Rated power - P2:	0.441 kW
Mains frequency:	50 Hz
Rated voltage:	1 x 220-240 V
Rated current:	3.12 A
Capacitor size - run:	13 µF/450 V
Enclosure class (IEC 34-5):	IP44
Insulation class (IEC 85):	F
Type of cable plug:	AUS
Cable:	Y
Controls:	
Presscontrol:	without press control
Switch:	on/off switch not included
Others:	
Net weight:	8 kg
Gross weight:	9 kg
Shipping volume:	0.026 m ³
Custom tariff no.:	84137042

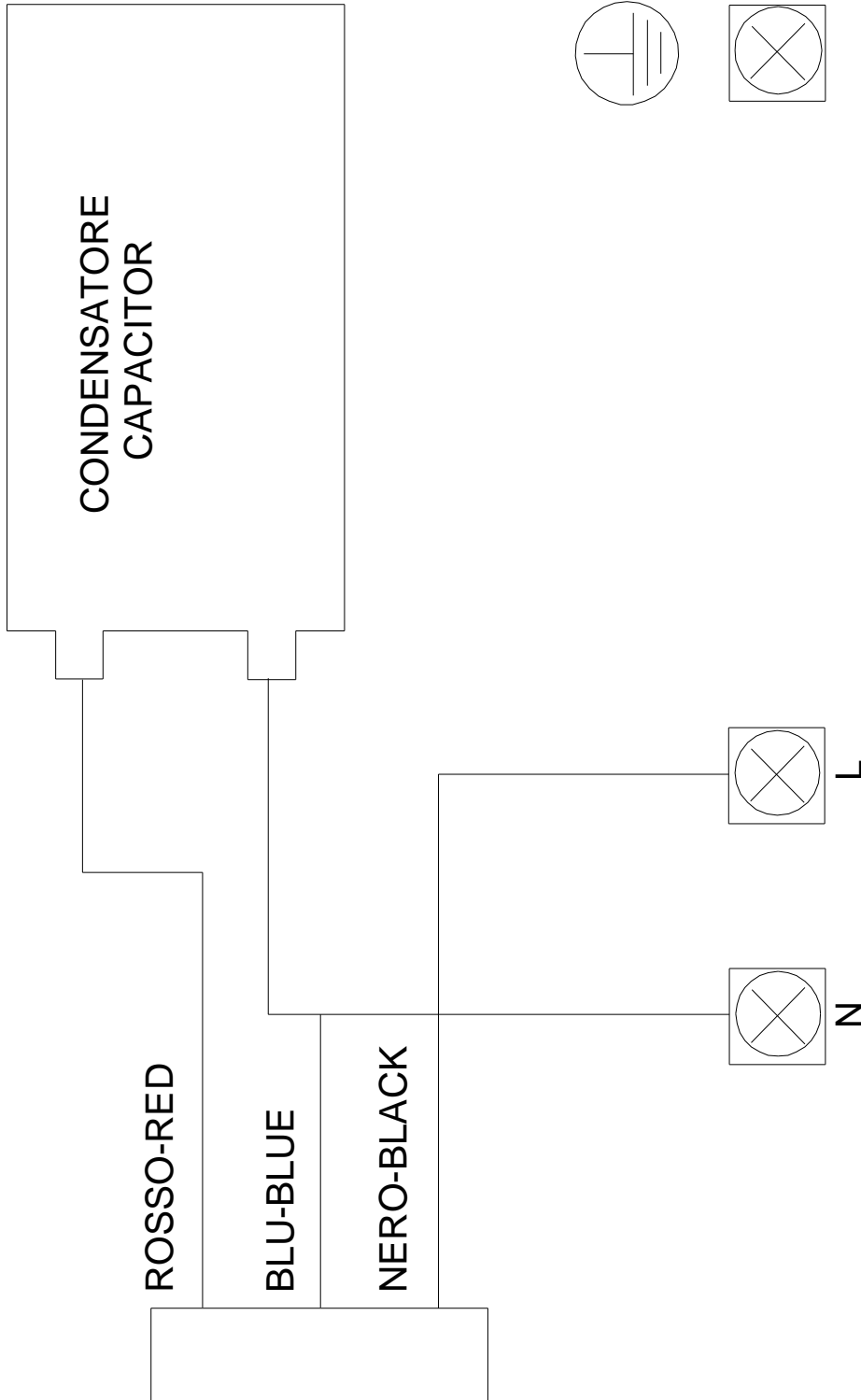


On request JPC 3-42 A-C-BBVP 50 Hz



Note! All units are in [mm] unless others are stated.
Disclaimer: This simplified dimensional drawing does not show all details.

On request JPC 3-42 A-C-BBVP 50 Hz



Note! All units are in [mm] unless others are stated.