

**Qty. Description**

1 KPC 24/7 210



Note! Product picture may differ from actual product

Product No.: On request

The KPC 24/7 is designed mainly for continuous operation in permanent installations for circulating water in ponds and for supplying water to fountains and waterfalls. Thanks to its compact, easy-to-handle design, it can also be used as a portable pump for emergencies such as lifting water from tanks or rivers, emptying swimming pools, fountains, excavations and underpasses. It is also ideal for gardening and hobbies in general.

**Liquid:**

Pumped liquid: Any Newtonian liquid

Liquid temperature range: 0 .. 35 °C

Density: 998.2 kg/m<sup>3</sup>

**Technical:**

Maximum particle size: 5 mm

**Materials:**

Pump housing: NORYL GFN2

Impeller: NORYL GFN2

**Installation:**

Pump outlet: Rp 1 1/4

Maximum installation depth: 7 m

**Electrical data:**

Power input - P1: 350 W

Mains frequency: 50 Hz

Rated voltage: 1 x 220-240 V

Rated current: 1.5 A

Capacitor size - run: 8 µF/450 V

Enclosure class (IEC 34-5): IP68

Insulation class (IEC 85): F

Length of cable: 10 m

Type of cable plug: SCHUKO

**Others:**

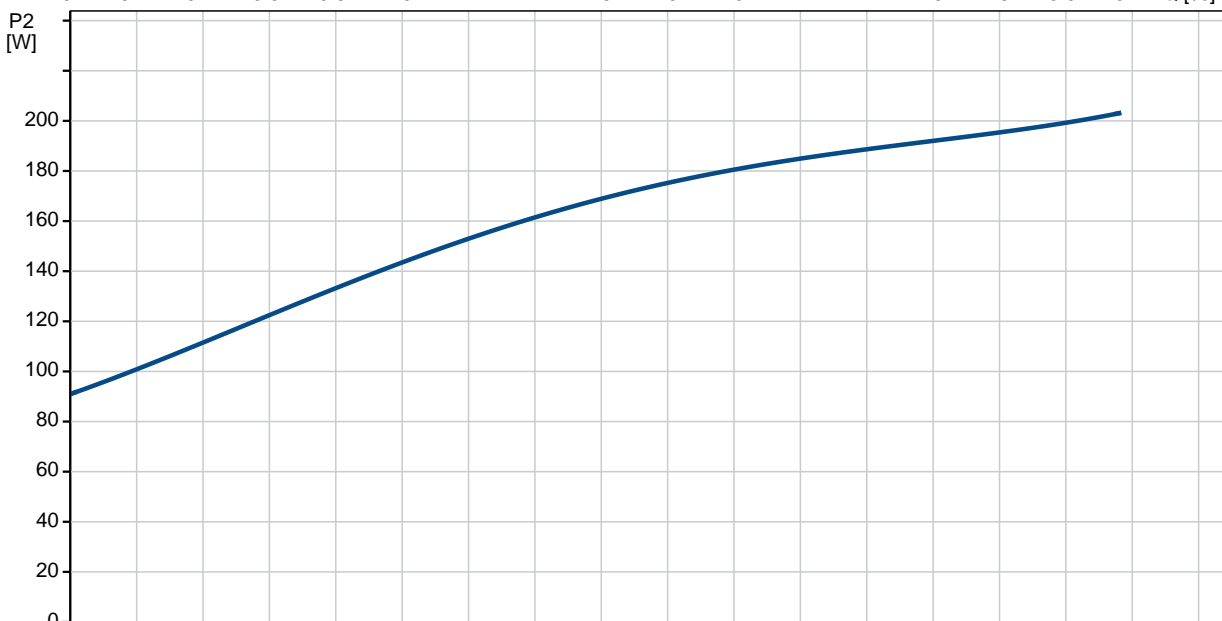
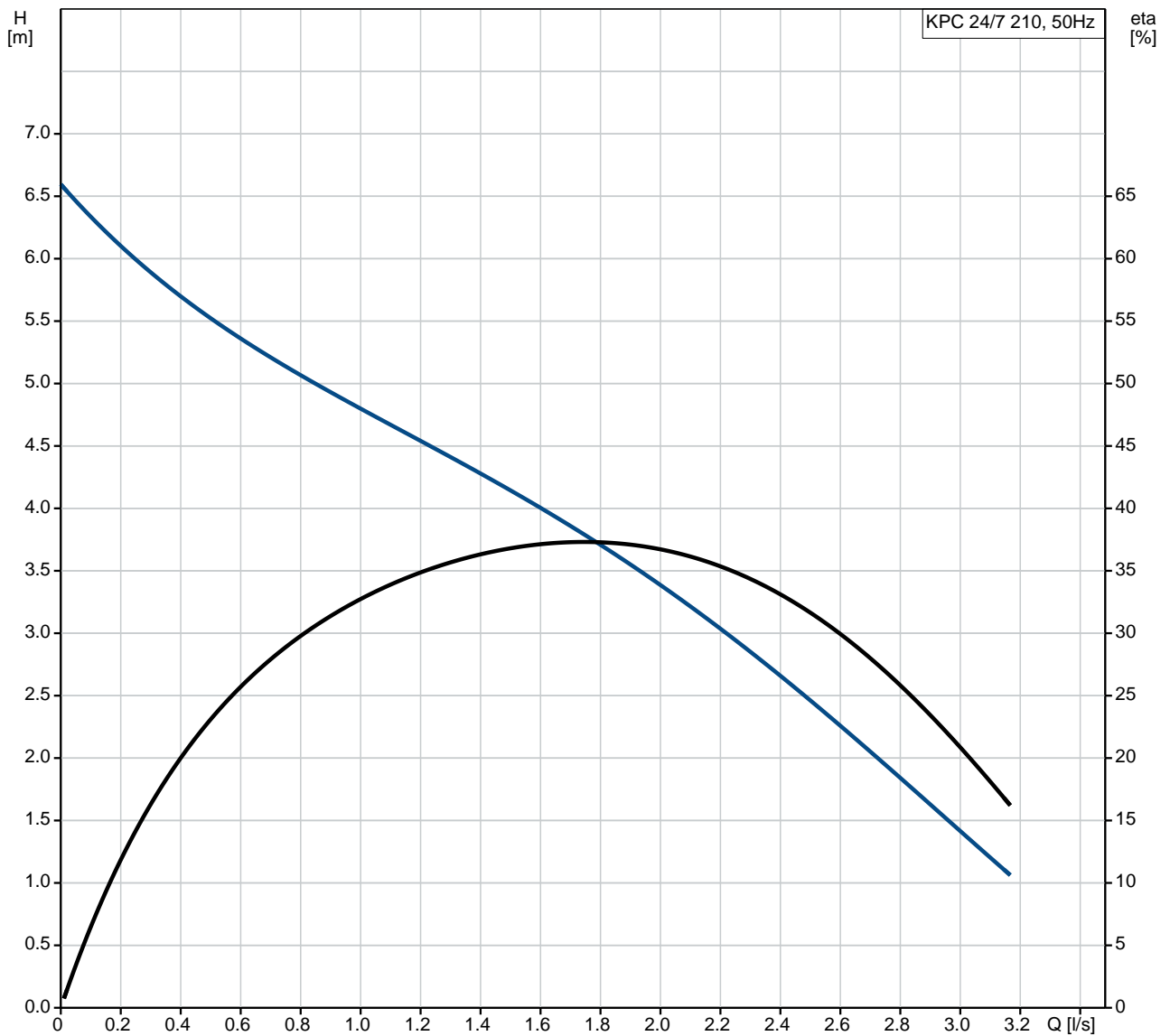
Net weight: 4.1 kg

Gross weight: 4.5 kg

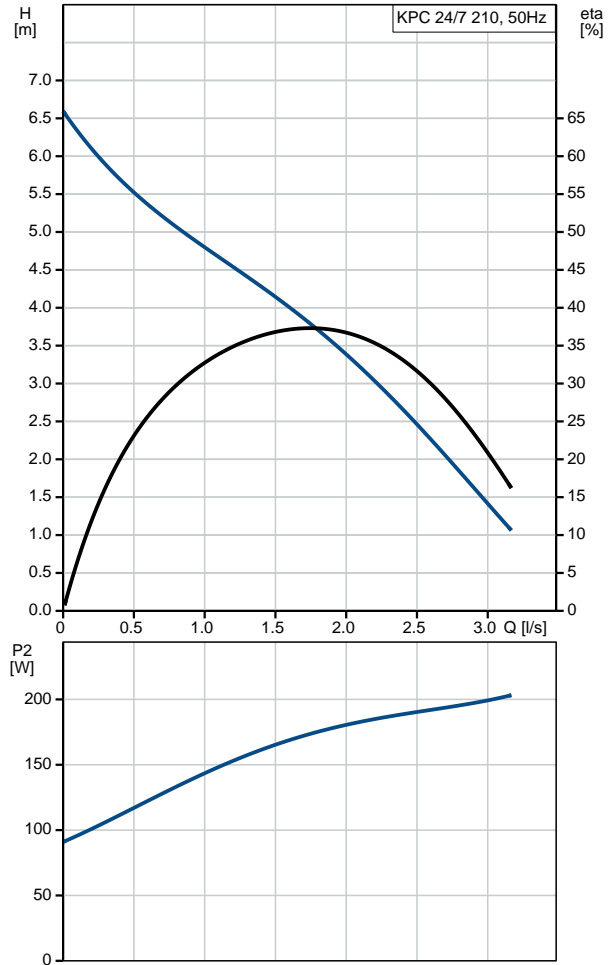
Shipping volume: 0.016 m<sup>3</sup>

Custom tariff no.: 84137041

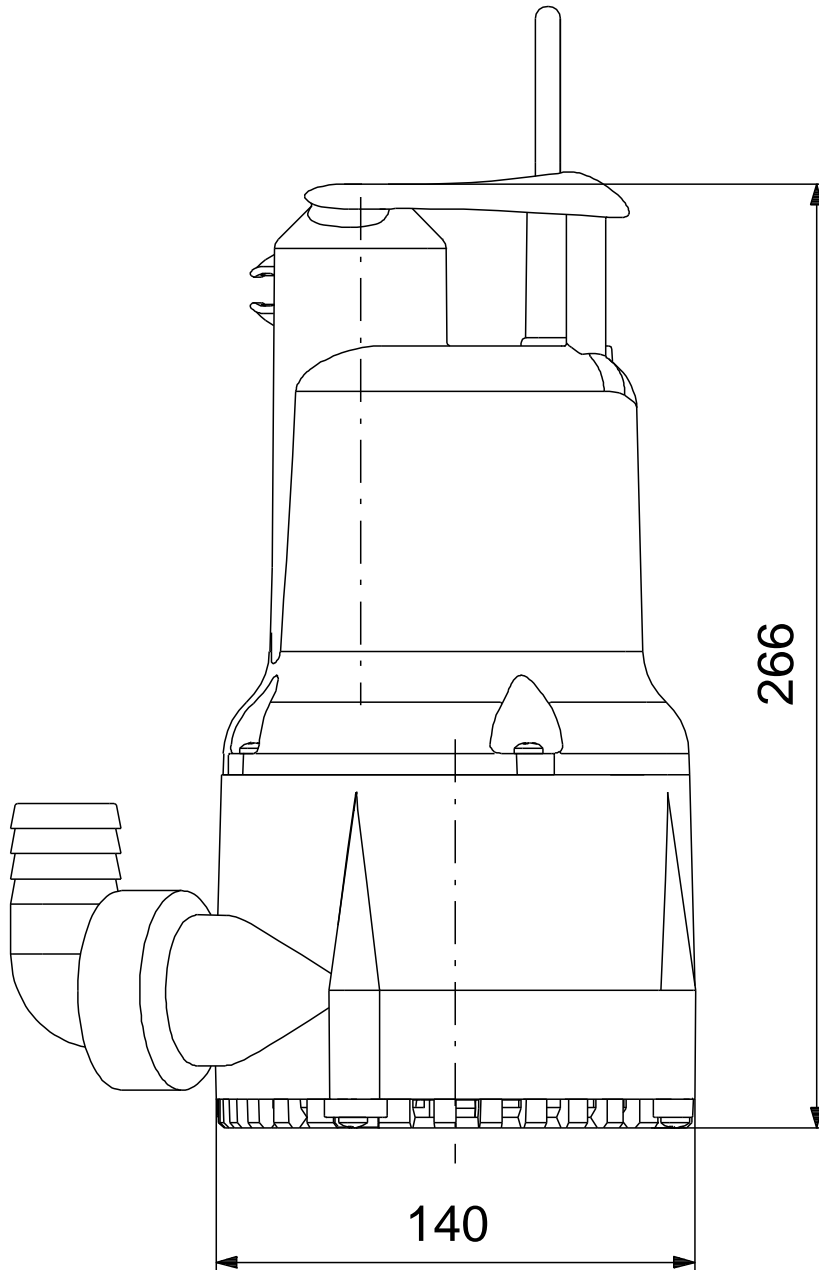
## On request KPC 24/7 210 50 Hz



Description	Value
<b>General information:</b>	
Product name:	KPC 24/7 210
Product No:	On request
EAN number:	On request
	On request
<b>Technical:</b>	
Max flow:	3.33 l/s
Head max:	6.5 m
Maximum particle size:	5 mm
Model:	A
<b>Materials:</b>	
Pump housing:	NORYL GFN2
Impeller:	NORYL GFN2
<b>Installation:</b>	
Pump outlet:	Rp 1 1/4
Maximum installation depth:	7 m
<b>Liquid:</b>	
Pumped liquid:	Any Newtonian liquid
Liquid temperature range:	0 .. 35 °C
Density:	998.2 kg/m <sup>3</sup>
<b>Electrical data:</b>	
Power input - P1:	350 W
Mains frequency:	50 Hz
Rated voltage:	1 x 220-240 V
Rated current:	1.5 A
Capacitor size - run:	8 µF/450 V
Enclosure class (IEC 34-5):	IP68
Insulation class (IEC 85):	F
Thermal protec:	internal
Length of cable:	10 m
Type of cable plug:	SCHUKO
<b>Controls:</b>	
Level switch:	M/WITHOUT
<b>Others:</b>	
Net weight:	4.1 kg
Gross weight:	4.5 kg
Shipping volume:	0.016 m <sup>3</sup>
Custom tariff no.:	84137041

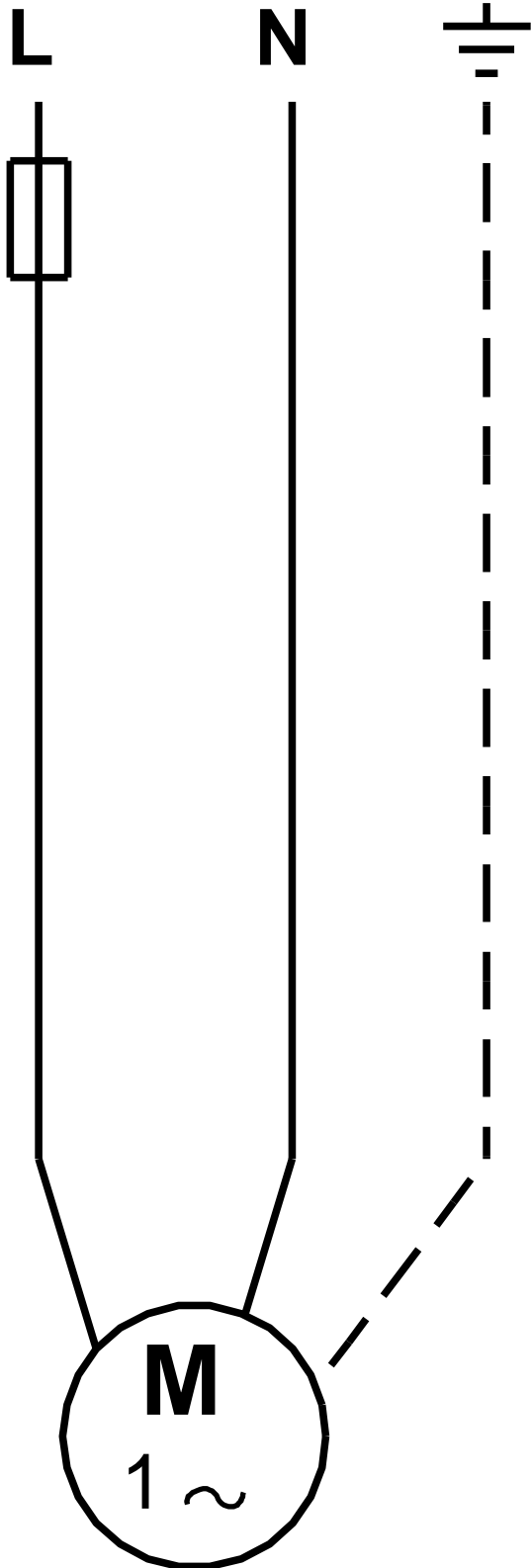


**On request KPC 24/7 210 50 Hz**



Note! All units are in [mm] unless others are stated.  
Disclaimer: This simplified dimensional drawing does not show all details.

On request KPC 24/7 210 50 Hz



Note! All units are in [mm] unless others are stated.

**Spare parts KPC 24/7 210, Product No. On request  
Produced After 1522 (production year and week number)**

V trí	Mô t	Chú gi i	D li u	Phân lo i	S b.ph n	S l	ng	n v
-	Fitting				98520441	1		pcs
149b	Fitting						1	
-	Kit, cable				98519587	1		pcs
48b	Cable relief						3	
48a	O-ring		Diameter: 88,27				1	
			Material type: NBR					
			Thickness: 2,34					
181	Cable						1	
250a	Cable relief						1	
250	Cable entry						1	
-	Kit, capacitor				98520308	1		pcs
48b	Cable relief						4	
161	Capacitor cpl.						1	
-	Kit, impeller				98520216	1		pcs
49	Impeller cpl.						1	
66	Wear ring						1	
67	Nut						1	
-	Spare, strainer				98520428	1		pcs
84	Strainer						1	