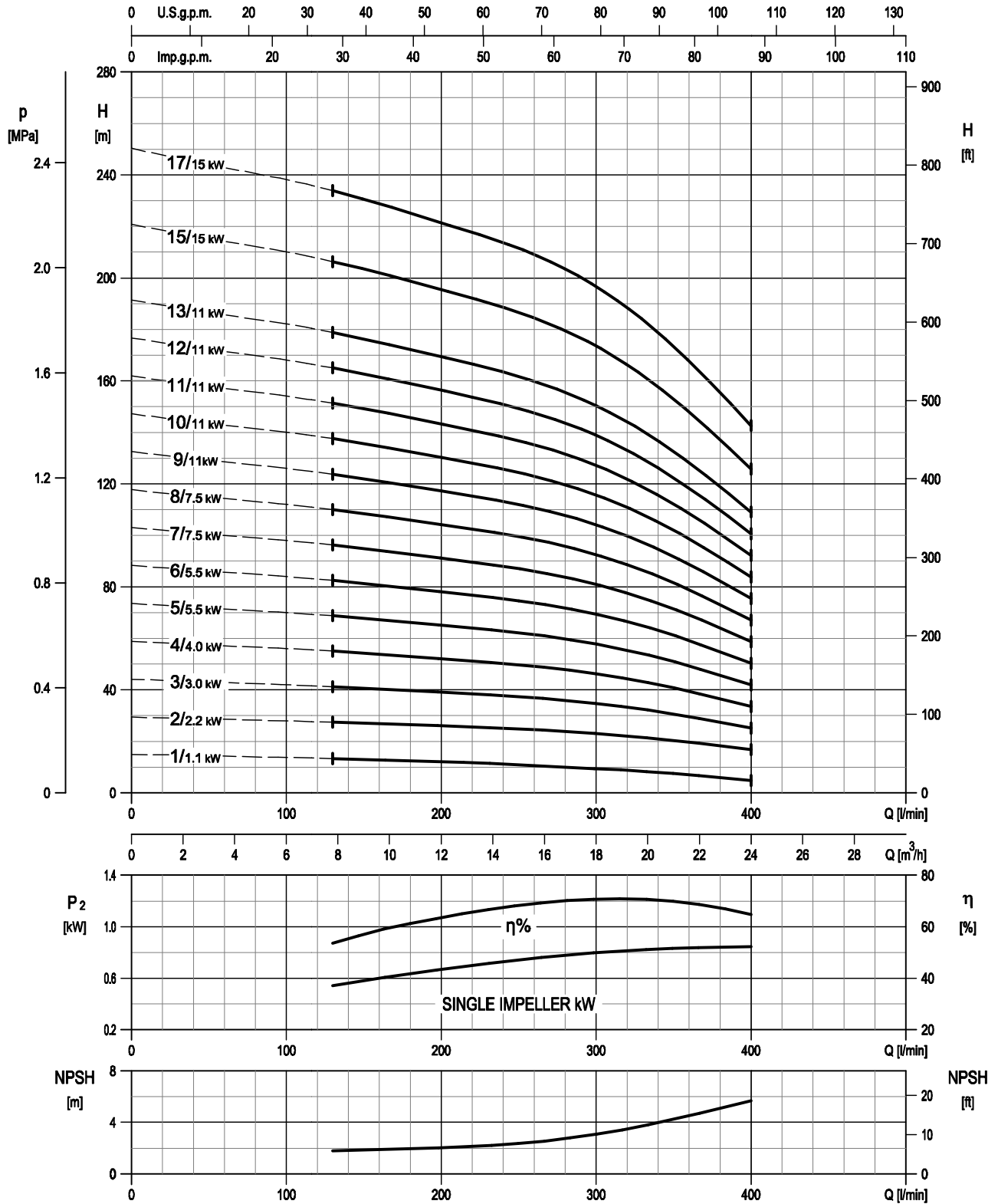


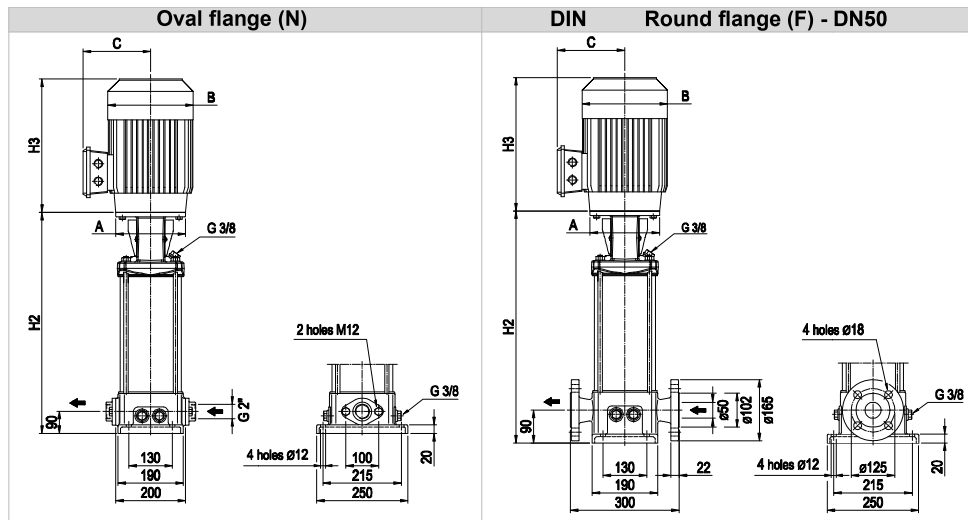
PERFORMANCE CURVE
EVMSG15



Rotation speed $\approx 2900 \text{ min}^{-1}$
Test standard: ISO 9906:2012 - Grade 3B

TECHNICAL DATA EVMSG15

Dimensional sketch

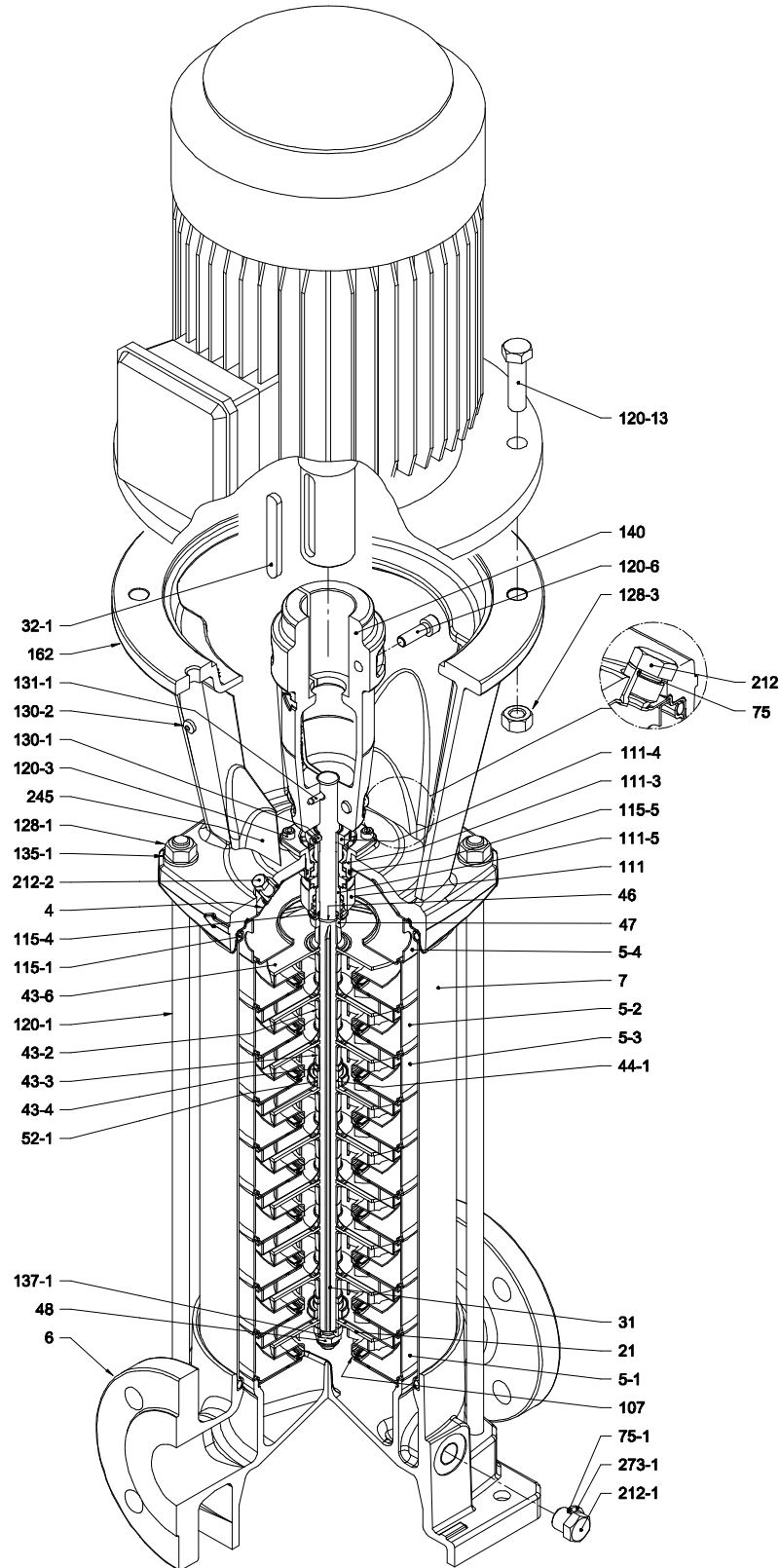


Dimensions [mm] and Weights [Kg]

Pump Type	P _{max} [MPa]	kW	Size	Motor									Oval flange (N)			Round flange (F)				
				A			1 ~			3 ~			H2	Weight Pump	Weight Pump + Motor		H2	Weight Pump	Weight Pump + Motor	
				B	C	H3	B	C	H3	B	C	H3			1 ~	3 ~			1 ~	3 ~
EVMSG15 1/1.1	1.6	1.1	80	Ø120	160	151	232	160	139	232	377	22.4	34.2	33.5	377	26.9	38.7	38		
EVMSG15 2/2.2	1.6	2.2	90L	Ø140	172	140	278	180	148	267	387	22.6	42.1	38.6	387	27.2	46.7	43.2		
EVMSG15 3/3.0	1.6	3.0	100 L	Ø160	-	-	-	196	155	306	437	24	-	46.8	437	28.5	-	51.3		
EVMSG15 4/4.0	1.6	4.0	112 S	Ø160	-	-	-	196	155	306	477	25.2	-	51.7	477	29.7	-	56.2		
EVMSG15 5/5.5	1.6	5.5	132 S	Ø300	-	-	-	225	160	328	614	34.9	-	73.5	614	39.5	-	78.1		
EVMSG15 6/5.5	1.6	5.5	132 S	Ø300	-	-	-	225	160	328	654	36.1	-	74.7	654	40.7	-	79.3		
EVMSG15 7/7.5	1.6	7.5	132 S	Ø300	-	-	-	225	160	350	694	38.3	-	78.7	694	42.9	-	83.3		
EVMSG15 8/7.5	1.6	7.5	132 S	Ø300	-	-	-	225	160	350	734	39.6	-	80	734	44.2	-	84.6		
EVMSG15 9/11	1.6	11	160 M	Ø350	-	-	-	248	194	476	804	40.9	-	103.4	804	45.5	-	108		
EVMSG15 10/11	1.6	11	160 M	Ø350	-	-	-	248	194	476	844	42.2	-	104.7	844	46.8	-	109.3		
EVMSG15 11/11	1.6	11	160 M	Ø350	-	-	-	248	194	476	884	50.2	-	112.7	884	54.7	-	117.2		
EVMSG15 12/11	2.5	11	160 M	Ø350	-	-	-	248	194	476	-	-	-	-	924	56	-	118.5		
EVMSG15 13/11	2.5	11	160 M	Ø350	-	-	-	248	194	476	-	-	-	-	964	57.3	-	119.8		
EVMSG15 15/15	2.5	15	160 M	Ø350	-	-	-	317	238	498	-	-	-	-	1044	59.9	-	148.8		
EVMSG15 17/15	2.5	15	160 M	Ø350	-	-	-	317	238	498	-	-	-	-	1124	62.8	-	151.7		

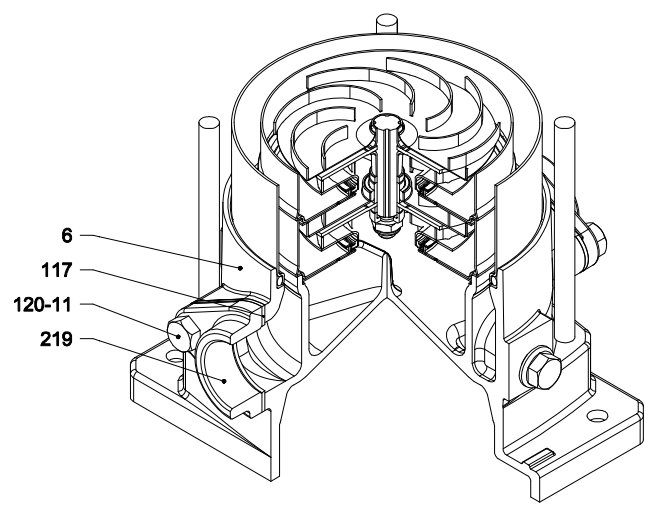
1.6 MPa=16 bar ; 2.5 MPa=25 bar
- not available model

SECTIONAL VIEW
EVMSG15



with Round flange (F)

PIPE CONNECTION EVMSG15



with Oval flange (N)

EVMSG15

SECTIONAL TABLE
EVMSG15

N°	PART NAME	MATERIAL EVMSG	DIMENSIONS	STANDARD	
4	Casing cover	EN 1.4301 (AISI 304)			
5-1	Suction casing	EN 1.4301 (AISI 304)			
5-2	Intermediate Casing	EN 1.4301 (AISI 304)			
5-3	Intermediate casing bearing	EN 1.4301 (AISI 304)			
5-4	Discharge casing	EN 1.4301 (AISI 304)			
6	Bottom casing	Cast Iron EN G.JL-250-EN1561			
7	Outer casing	EN 1.4301 (AISI 304)			
21	Impeller	EN 1.4301 (AISI 304)			
31	Shaft	EN 1.4301 (AISI 304) - EN 1.4462 (AISI 329A)			
32-1	Adjuster Key	EN 1.4301 (AISI 304)			
43-2	Shaft sleeve (intermediate)	EN 1.4301 (AISI 304)			
43-3	Shaft sleeve (bearing)	EN 1.4301 (AISI 304)			
43-4	Shaft sleeve (adjustment)	EN 1.4301 (AISI 304)			
43-6	Washer	EN 1.4404 (AISI 316L)	D. 26x2.5		
44-1	Shaft sleeve bearing	Tungsten carbide			
46	Ring (mechanical seal)	EN 1.4404 (AISI 316L)			
47	Ring Holder	EN 1.4301 (AISI 304)			
48	Impeller nut	A2-70 UNI 7323 with inox insert	M10		
52-1	Bearing	Tungsten carbide			
75	O-Ring (plug)	EPDM	D. 12.37x2.62	OR 3050	
75-1	O-Ring (plug)	EPDM			
107	Liner ring	EN 1.4301 (AISI 304) + PPS			
111	Mechanical Seal	SiC/Carbon/EPDM			
111-3	Mechanical seal seat	EN 1.4301 (AISI 304)			
111-4	Seal holder	EN 1.4301 (AISI 304)			
111-5	Mechanical seal cartridge	EN 1.4301 (AISI 304)			
115-1	O-Ring (outer casing)	EPDM	D. 164,46x5,34	OR 6645	
115-4	O-Ring (cartridge sleeve)	EPDM	D. 15.88x2.62	OR 121	
115-5	O-Ring (seal cover)	EPDM	D. 37.77x2.62	OR 3150	
117	Flange gasket	EPDM			
120-1	Tie-rod	Galvanized steel 6.8 strength class ISO 898/1	M12		
120-3	Screw	A2-70 UNI 7323	M5x12	ISO 4762	
120-6	Screw for coupling	Galvanized steel 6.8 strength class ISO 898/1	up to 4.0 kW	M6x25	ISO 4762
			from 5.5 kW to 7.5 kW	M8x20	ISO 4762
			above 11 kW	M10x30	ISO 4762
120-11	Screw for counterflange	A2-70 UNI 7323			
120-13	Screw for motor	Galvanized steel 8.8 strength class ISO 898/1	MEC 80	M6x20	ISO 4017
			MEC 90-100-112	M8x20	ISO 4017
			MEC 132	M12x40	UNI 5739
			MEC 160	M16x50	ISO 4017
128-1	Nut for tie rod	Galvanized steel	M12	UNI 5588	
128-3	Nut (motor)	Galvanized steel	M12	UNI 5588	
			M16	ISO 4032	
130-1	Set screw	A2-70 UNI 7323	M5x8	UNI 5923	
130-2	Screw for coupling guard	A2-70 UNI 7323	M5x6	UNI 7687	
131-1	Pin for shaft	Carbon Steel	D. 5x35	UNI 4838	
135-1	Washer	Galvanized steel	D. 13x24x2,5	UNI 6592	
137-1	Impeller spacer	EN 1.4301 (AISI 304)			
140	Coupling	up to 4.0 kW	Die cast Aluminium EN AB-AISI11Cu2 (Fe)		
		above 5.5 kW	Cast Iron		
162	Motor bracket	Cast iron EN-G.JL-200-EN 1561			
212	Plug	EN 1.4301 (AISI 304)	G 3/8		
212-1	Plug	EN 1.4301 (AISI 304)	G 3/8		
212-2	Venting plug	EN 1.4404 (AISI 316L)			
219	Counter flange	Galvanized steel			
245	Coupling guard	EN 1.4301 (AISI 304)			
273-1	Plug Washer	EN 1.4301 (AISI 304)			

QUANTITY FOR MODEL EVMSG15

Pump Type	N°																													
	4	5-1	5-2	5-3	5-4	6	7	21	31***	32-1	43-2	43-3	43-4	43-6	44-1	46	47	48	52-1	75	75-1	107	111	111-3	111-4	111-5	115-1	115-4	115-5	
EVMSG15 1/1.1	1	1	/	1	1	1	1	1	1	1	/	1	1	1	1	2	1	1	1	1	4	1	1	1	1	1	1	2	1	1
EVMSG15 2/2.2	1	1	/	1	1	1	1	2	1	1	/	1	1	/	1	2	1	1	1	1	4	2	1	1	1	1	1	2	1	1
EVMSG15 3/3.0	1	1	1	1	1	1	1	3	1	1	3	1	1	/	1	2	1	1	1	1	4	3	1	1	1	1	1	2	1	1
EVMSG15 4/4.0	1	1	2	1	1	1	1	4	1	1	5	1	1	/	1	2	1	1	1	1	4	4	1	1	1	1	1	2	1	1
EVMSG15 5/5.5	1	1	3	1	1	1	1	5	1	1	7	1	1	/	1	2	1	1	1	1	4	5	1	1	1	1	1	2	1	1
EVMSG15 6/5.5	1	1	4	1	1	1	1	6	1	1	9	1	1	/	1	2	1	1	1	1	4	6	1	1	1	1	1	2	1	1
EVMSG15 7/7.5	1	1	4	2	1	1	1	7	1	1	9	2	2	/	2	2	1	1	2	1	4	7	1	1	1	1	1	2	1	1
EVMSG15 8/7.5	1	1	5	2	1	1	1	8	1	1	11	2	2	/	2	2	1	1	2	1	4	8	1	1	1	1	1	2	1	1
EVMSG15 9/11	1	1	6	2	1	1	1	9	1	1	13	2	2	/	2	2	1	1	2	1	4	9	1	1	1	1	1	2	1	1
EVMSG15 10/11	1	1	7	2	1	1	1	10	1	1	15	1	2	/	2	2	1	1	2	1	4	10	1	1	1	1	1	2	1	1
EVMSG15 11/11	1	1	8	2	1	1	1	11	1	1	17	1	2	/	2	2	1	1	2	1	4	11	1	1	1	1	1	2	1	1
EVMSG15 12/11	1	1	9	2	1	1	1	12	1	1	19	1	2	/	2	2	1	1	2	1	4	12	1	1	1	1	1	2	1	1
EVMSG15 13/11	1	1	10	2	1	1	1	13	1	1	21	1	2	/	2	2	1	1	2	1	4	13	1	1	1	1	1	2	1	1
EVMSG15 15/15	1	1	12	2	1	1	1	15	1	1	25	1	2	/	2	2	1	1	2	1	4	15	1	1	1	1	1	2	1	1
EVMSG15 17/15	1	1	13	3	1	1	1	17	1	1	27	2	2	/	3	2	1	1	3	1	4	17	1	1	1	1	1	2	1	1

Pump Type	N°																						
	117*	120-1	120-3	120-6	120-11*	120-13	128-1	128-3	128-6	130-1	130-2	131-1	135-1	135-6	137-1	140	162	212	212-1	212-2	219*	245	273-1
EVMSG15 1/1.1	2	4	4	4	4	4	4	/	4	3	4	1	4	4	1	2	1	1	4	1	2	2	4
EVMSG15 2/2.2	2	4	4	4	4	4	4	/	4	3	4	1	4	4	1	2	1	1	4	1	2	2	4
EVMSG15 3/3.0	2	4	4	4	4	4	4	/	4	3	4	1	4	4	1	2	1	1	4	1	2	2	4
EVMSG15 4/4.0	2	4	4	4	4	4	4	/	4	3	4	1	4	4	1	2	1	1	4	1	2	2	4
EVMSG15 5/5.5	2	4	4	4	4	4	4	/	3	4	4	1	4	/	1	2	1	1	4	1	2	2	4
EVMSG15 6/5.5	2	4	4	4	4	4	4	/	3	4	4	1	4	/	1	2	1	1	4	1	2	2	4
EVMSG15 7/7.5	2	4	4	4	4	4	4	/	3	4	4	1	4	/	1	2	1	1	4	1	2	2	4
EVMSG15 8/7.5	2	4	4	4	4	4	4	/	3	4	4	1	4	/	1	2	1	1	4	1	2	2	4
EVMSG15 9/11	2	4	4	4	4	4	4	/	3	4	4	1	4	/	1	2	1	1	4	1	2	2	4
EVMSG15 10/11	2	4	4	4	4	4	4	/	3	4	4	1	4	/	1	2	1	1	4	1	2	2	4
EVMSG15 11/11	2	4	4	4	4	4	4	/	3	4	4	1	4	/	1	2	1	1	4	1	2	2	4
EVMSG15 12/11	/	4	4	4	/	4	4	/	3	4	4	1	4	/	1	2	1	1	4	1	/	2	4
EVMSG15 13/11	/	4	4	4	/	4	4	/	3	4	4	1	4	/	1	2	1	1	4	1	/	2	4
EVMSG15 15/15	/	4	4	4	/	4	4	/	3	4	4	1	4	/	1	2	1	1	4	1	/	2	4
EVMSG15 17/15	/	4	4	4	/	4	4	/	3	4	4	1	4	/	1	2	1	1	4	1	/	2	4

* only for Oval flange (N)

*** shaft in EN 1.4462 (AISI 329A)

128-6 / 135-6 : with Aluminium coupling (see drawing pag.211)