

SERIES CRX

STAINLESS STEEL CENTRIFUGAL PUMPS WITH OPENED IMPELLER



Opened impeller pumps fully made of stainless steel suitable for domestic, agricultural and industrial applications. All parts which are in contact with the pumped liquid are in Aisi 304 stainless steel in order to grant a maximum hygiene and resistance against corrosion. The open impeller allow pumping of clean or relatively dirty water which have solid parts with diameter maximum of 8 mm.

LIMITS OF USE:

Max Temperature of liquid: 90° C (110 °C in H-HS versions)
Max suction depth: 7 mt


CONSTRUCTION MATERIALS:

Pump body, impeller, diffusers: stainless steel Aisi304
Motor shaft: stainless steel Aisi 303;
Motor casing and casing: alluminium
Mechanical seal: Cer/Car/NBR (standard)
Car/Car/FPM (H version)
Sic/Sic/FPM (HS version)
Tungsten Carb/Tungsten Carb/FPM (HW version)

ELECTRIC MOTOR:

- 2 poles, close type with external cooling fan, insulation class F, grade of protection IP55.
- Standard voltages: M = 230/240-50; T = 230/400-50.
- Single phase motors is fitted with thermic microswitches to avoid damages to the motor. The protection of three-phase motors have to be arranged by the user.
- Different voltages and frequency available on request

 **VINA[BOM].COM**
VẬN CHUYỂN NGUỒN NƯỚC THÔNG MINH

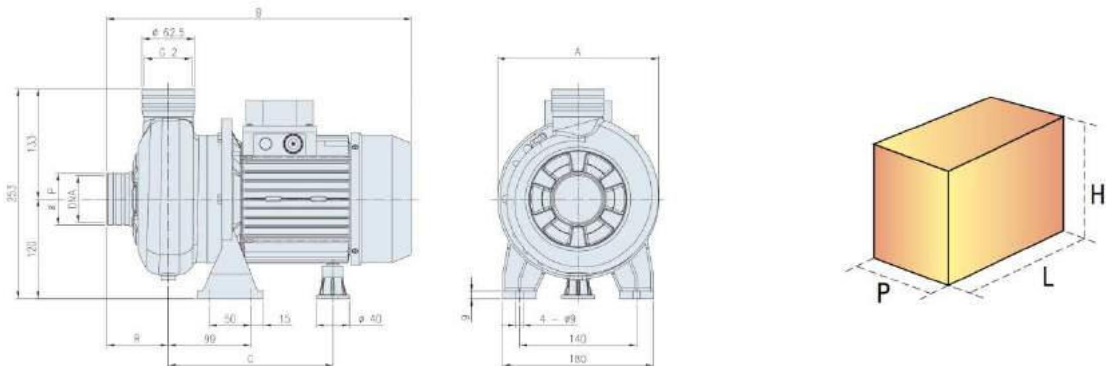
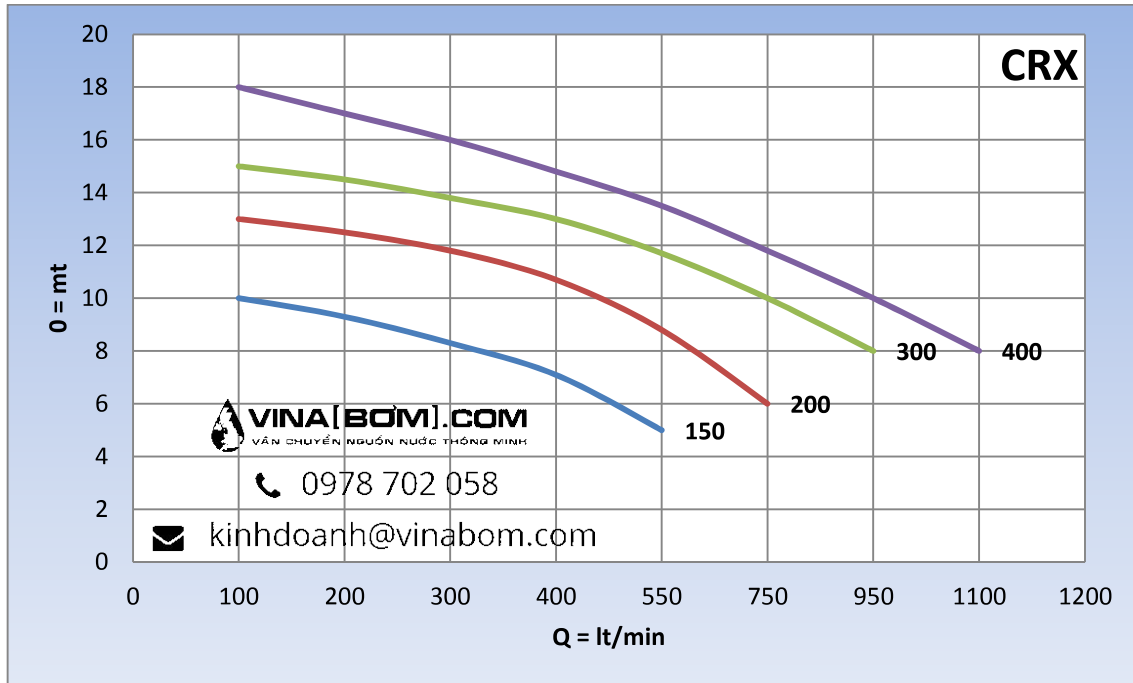
 0978 702 058

 kinhdoanh@vinabom.com

SERIES CRX

STAINLESS STEEL CENTRIFUGAL PUMPS WITH OPENED IMPELLER

MOD.	POWER		CAPACITOR	ABSORBED AMP.			Q=DELIVERY								
	HP	KW		230V-M	230V-T	400V-T	M3/H	6	12	18	24	33	42	57	66
			LT/MIN				100	200	300	400	550	750	950	1100	
CRX/150	1,5	1,1	31,5	6,8	5,6	3,2	H T	10	9	8	7	5			
CRX/200	2	1,5	40	9,0	6,3	3,7		13	12	12	11	9	6		
CRX/300	3	2,2			7,8	4,5		15	15	14	13	12	10	8	
CRX/400	4	3			10,6	6,1		18	17	16	15	14	12	10	8



TYPE	Ø A mm	B mm	C mm	R mm	Ø P mm	DNA	DNM	P mm	L mm	H mm	KG
CRX/150 M	193 (208)*	365	197	74	62,5	2"	2"	280	432	205	15.3
CRX/200 M	193 (208)*	365	197	74	62,5	2"	2"	280	432	205	16.5
CRX/150 T	193	365	197	74	62,5	2"	2"	280	432	205	15.3
CRX/200 T	193	378	197	74	62,5	2"	2"	280	477	205	17
CRX/300 T	193	416	230/241	78	80	2"	2"	280	477	205	20.3
CRX/400 T	193	455	230/241	78	80	2"	2"	280	477	205	23.2